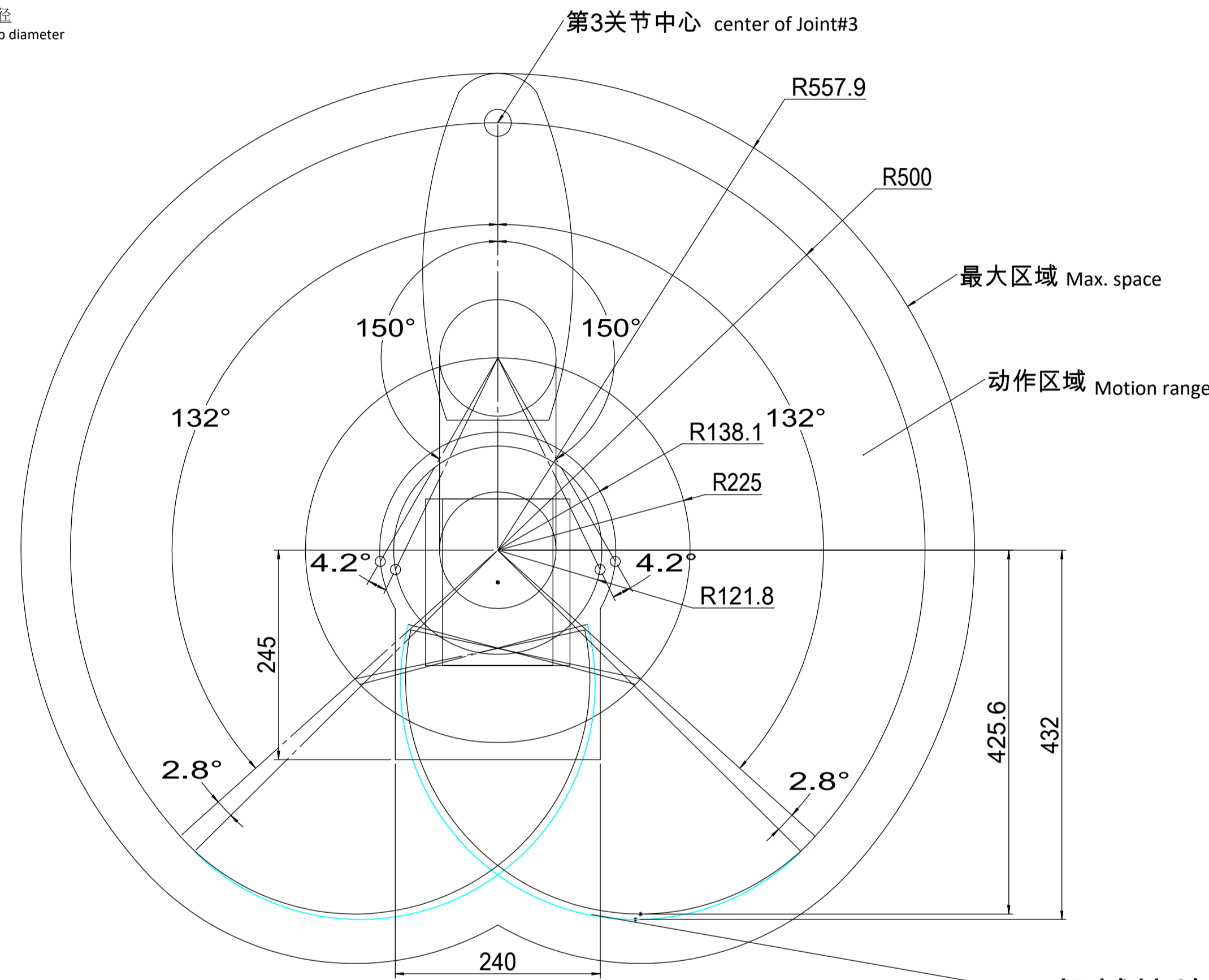
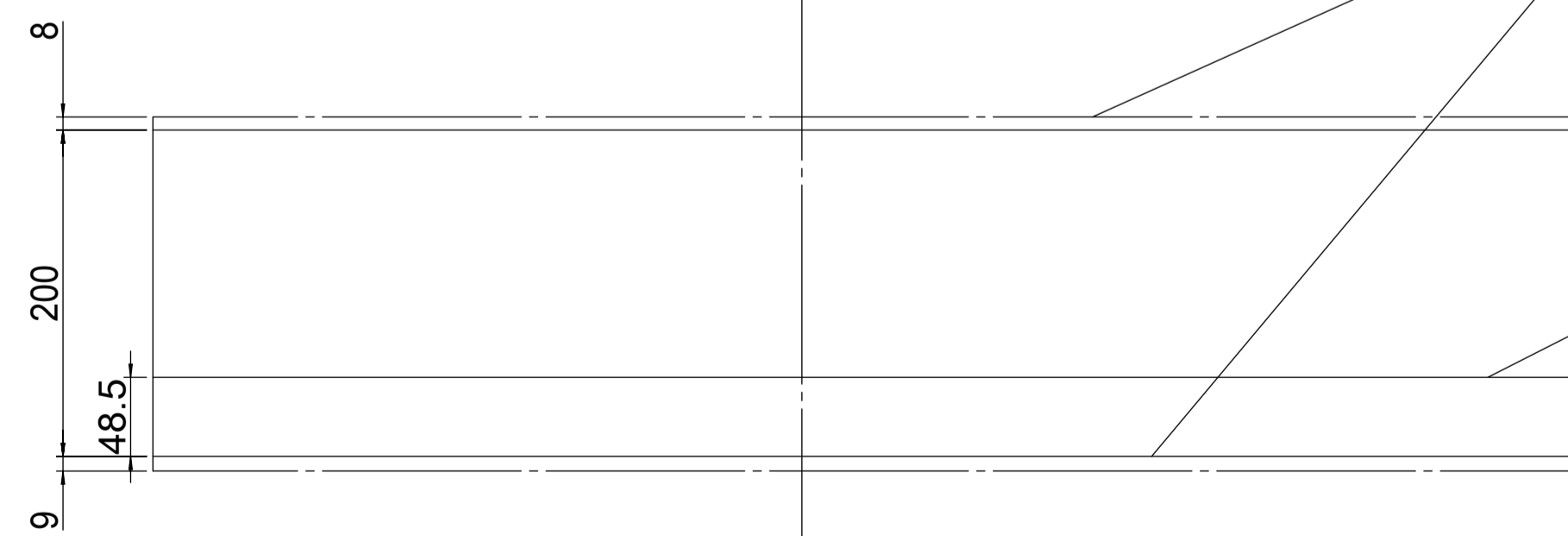


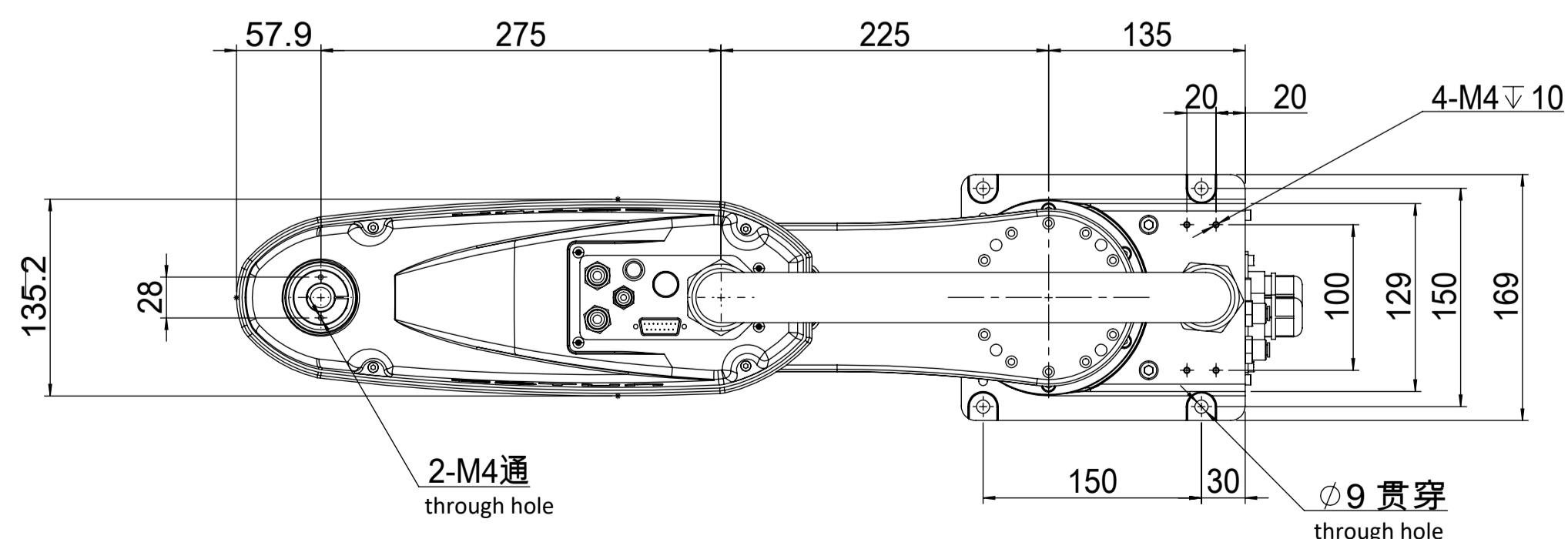
*机械停止位的冲程余量
(*indicates the stroke margin by mechanical stops)



机械挡块之前的区域
Area limited by mechanical stops



底座安装面
Base mounting face



型号Model	ER6-500-SR	
种类Type	水平多关节Articulated	
轴数Axes	4	
臂展Arm length	500mm(225mm+275mm)	
动作范围Motion range	J1	±132°
	J2	±150°
	J3	0-200mm
	J4	±360°
负载Load	额定值Rated	2kg
	最大值Max.	6kg